

LPGK Serials Filter

Feature And Usage

LPG-Filter (Also called Strainer) often installs before the flowmeter to filter the solid impurity contained in the flow. After filtering, it can avoid the positive displace flowmeter blocked and prolong the lifetime of the meter.



Picture 1

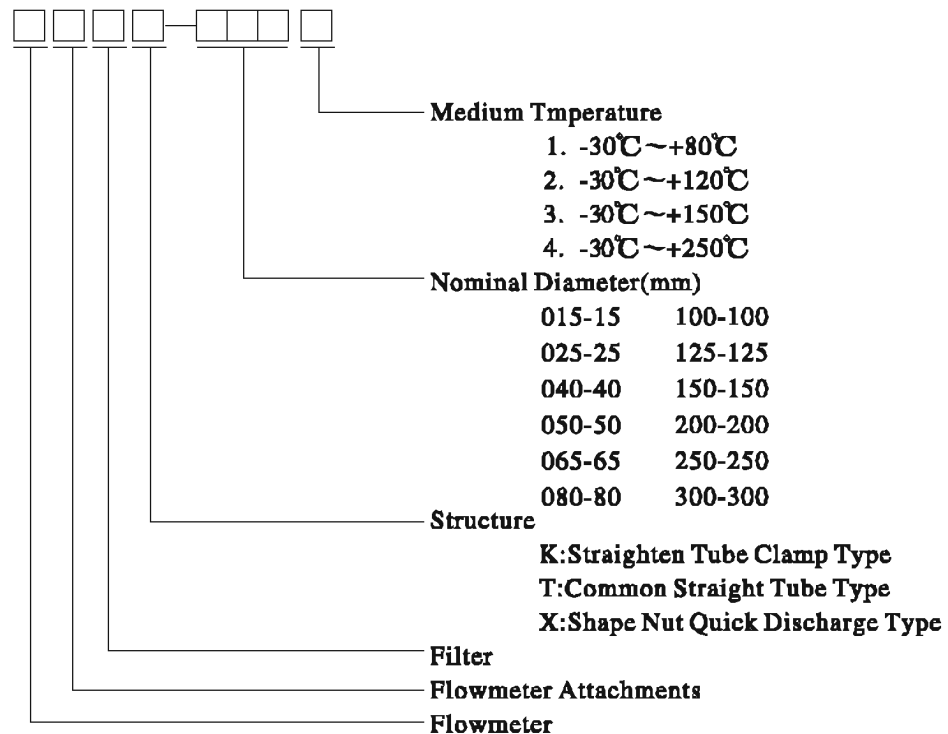
Main Technical Datum

Table 1

Nominal Diameter(mm)	15	25	40	50	80	100	150	200	250	300
Nominal Pressure(MPa)	1.6, 2.5, 4.0, 6.4									
Mesh Number	LPGX	40				20				
	LPGT	20(40)				10				
Fluid Temperature	-30℃ ~+80℃, -30℃ ~+120℃, -30℃ ~+150℃, -30℃ ~+250℃									

Note: The mesh number can be custom-made according to the customer requirement if that need not the standard.

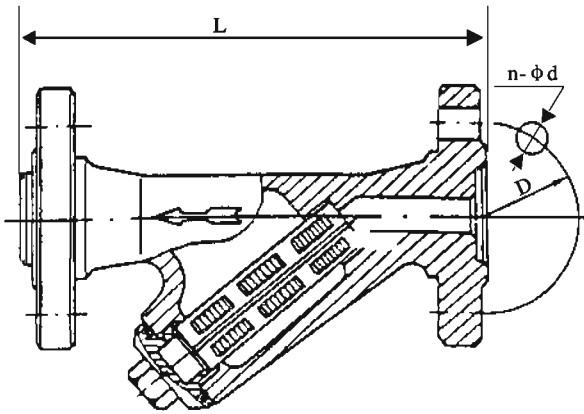
Type Description



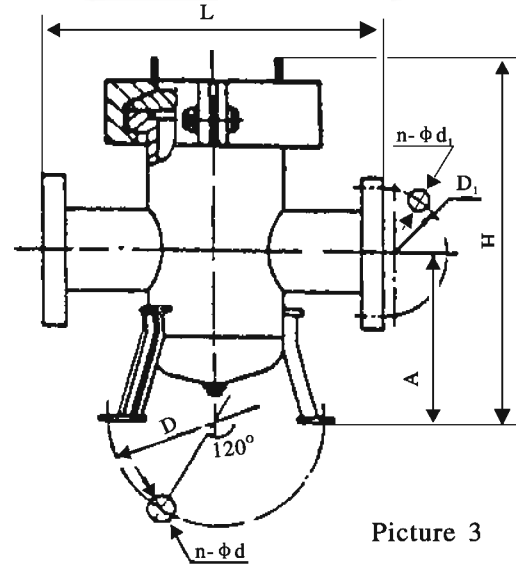
Y-Shape Nut Quick Discharge Type Outline Dimension (See Pic.2)

Table 2

Nominal Pressure (MPa)	Nominal Diameter(mm)	Flange Distance L (mm)	Mesh Number	Flange Dimension(mm)		Weight (kg)
				D	n-φd	
15	1.6,2.5,4.0	100	65	40	4-φ14	3
25	1.6,2.5,4.0	130	85	40	4-φ14	8
40	1.6,2.5,4.0	180	110	40	4-φ18	12



Picture 2



Picture 3

Straight Tube Clamp Quick Discharge Type Outline Dimension (See Pic.3)

Table 3

Nominal Diameter (mm)	Nominal Pressure (MPa)	Flange Distance L(mm)	Install Height A (mm)	Mesh Number	Ground Fasten Dimension(mm)			Total Height H(mm)	Flange Dimension			Weight (kg)	
					D	n	φd		D1	n	d ₁		
50	1.6	320	237	20	310	3	23	455	125	4	18	34	
	2.5			40									
	4.0												
	6.4												
80	1.6	420	260	20	335	3	23	580	135	8	23	60	
	2.5			40									
	4.0												
	6.4												
100	1.6	520	315	20	335	3	23	668	180	8	23	85	
	2.5			40					190				
	4.0								200				
	6.4								25				
150	1.6	720	500	20	520	3	23	940	280	8	34	180	
	2.5			40									295
	4.0												310
	6.4												320
200	1.6	800	538	10	634	3	23	1070	345	12	34	400	
	2.5			20					355				
	4.0								370				
	6.4								385				
250	1.6	1000	580	10	658	3	23	1134	400	12	25	1000	
	2.5			20					410				
	4.0								430				
	6.4								450				
300	1.6	1070	1050	10	670	3	33	1800	460	16	34	2000	
	2.5			20					410				
	4.0								430				
	6.4								450				

Note: For the diameter less than DN50, the filter is Y-shape Nut quick discharge type. For the diameter equal and exceed than DN50, the filter is straight tube clamp quick discharge type.