

GLZ Serials High Pressure Flow Auto Controller

General

GLZ Serials High Pressure Flow Controller is an integral mechanical and electrical high-tech product. It assembles the high pressure flow meter, high pressure flow control valve and flow controller. The controller has a compact structure, a visual display, a high control precision, rot/corrosion proof, fouling prevention, alternating current and direct current dual-purpose, flow manual control or automatic flow control and other merits. It has been widely used for ration flow control and the projects of high pressure water/polymer injection, especially for waterflooding.



Patent No: ZL 2006 1004 6132.3 ZL 2004 2 0031280.4

GLZ Serials high Pressure Flow Auto Controller constitutes of impeller, axle and axle bearing that have been treated specifically. The meter functions well in preventing fouling of the sewage on spot and the impeller timbering assembly is easily taken out of the meter cover which are very convenient for the periodic verification of the flow meter. The executive control mechanism of the flow control valve is the alternating current electrical machine with the reduction gear. It has manual device. When the alternating current interrupts, the flow meter can work normally because of the internal power source. At this moment the valve can be controlled manually. The hand wheel is very light for the reduction gear, so the resolution ratio of regulating is relatively high. The application of the advanced electronic technology makes the complete controller have a fairly high stability and anti-jamming ability.

Technical Datum

1. Flow Range And Accuracy

DN (mm)	Flow Range (m ³ /h)		Flow Range (m ³ /h)
	1.0%	1.5%	2%
15	0.1~0.5	0.1~1	0.08~1.2
	0.2~1	0.1~1	0.08~1.2
25	1~3	0.06~6	0.6~7
	1~5	0.6~6	0.6~7
40	2~9	2~10	1~12
50	2~10(Z)	1~10(Z)	2.5~25(Z)
	3~15(Z)	2~20(Z)	
	2~10(J)	1~10(J)	2~25(J)
	3~20(J)	2~20(J)	
80	20~80	10~100	10~130

Note: The above flowrate can be custom-made.

2. Fluid Temperature: -20℃~+120℃;

3. Nominal Pressure: 16MPa, 25MPa, 32MPa, 42MPa

4. Pressure Loss: <0.02MPa;

5. Power: AC220V±10%/50HZ

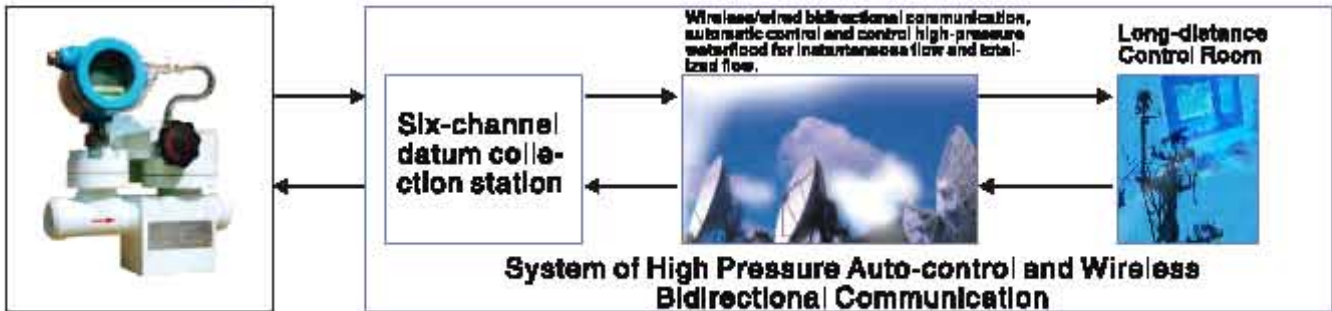
6. Power Consumption: < 100W



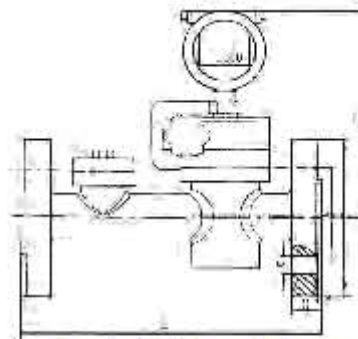


YINUO

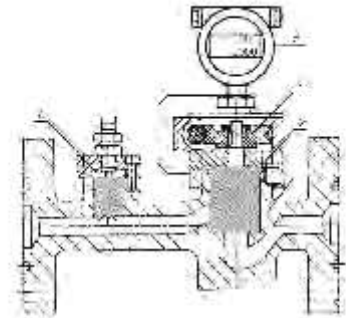
Structure Diagram of Wireless Communication System



Installing Drawing



Installation Drawing

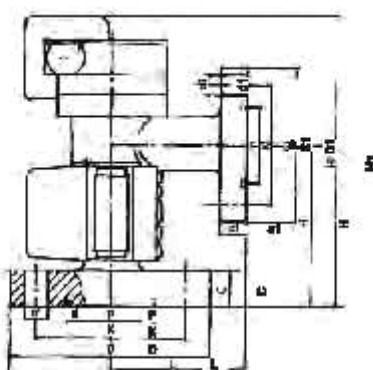


Structure Drawing

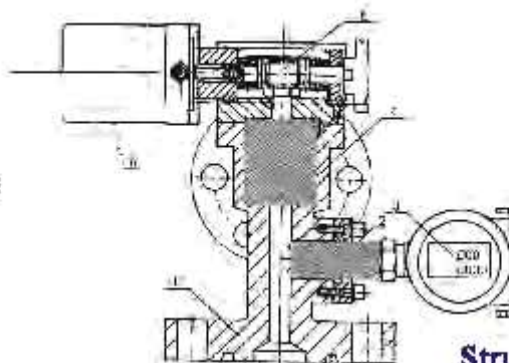
- 1. Upper Cover
- 2. Valve Core Parts
- 3. Reducer Parts
- 4. Wheel Parts
- 5. Controller

Table 2

Nominal Diameter (mm)	Nominal Pressure (MPa)	L	H	D	K	d	n	c	Weight (kg)
15	16, 25, 32, 42	400	280			25	4	30	
25	16, 25	400	280	150	102	25	4	30	
40	16, 25	400	290	170	124	27	4	34	
50	25	440	290	215	165	26	8	40	
	32	440	290	215	165	26	8	40	
80	25	500	320	290	230	34	8	54	
	32	500	320	290	230	34	8	54	



Installation Drawing



Structure Drawing

- 1. Body
- 2. Sensor
- 3. Controller
- 4. Valve Parts
- 5. Reducer Parts
- 6. DC-Motor



YINUO

GLZ - High Pressure Flow Auto Controller

Table 3

DN (mm)	Nominal Pressure (MPa)	L	D	K	C	n	d	H	D ₁	K ₁	C ₁	n ₁	d ₁	H ₁	Weight (kg)
15	16, 25, 32, 42	170			30	4	26	176			30	4	26	370	
25	25	170	150	101.5	30	4	26	176	150	101.5	30	4	26	370	
50	16	150	215	165	36	8	26	176	130	130	28	6	24	370	31
	25	150	215	165	40	8	26	176	130	130	30	6	24	370	
	32	170	210	160	44	8	30	176	145	145	40	6	27	456	
	42	150	235	171.5	51	8	30	176	145	145	40	6	27	456	
80	16.25	185	255	200	45	8	30	210	188	188	45	6	30	456	50
	32	200	275	220											

Type Description

Type	1	2	3	4	5	6	7	Note
	DN	PN	Material	Structure	Measuring Parts	Output Signal	Valve Type	
GLZ	—							High Pressure Flow Auto Controller
	15							DN: 15mm
	25							DN: 25mm
	40							DN: 40mm
	50							DN: 50mm
	80							DN: 80mm
	16							16MPa
	25							25MPa
	32							32MPa
	42							42MPa
	G							Cast Steel
	S304							304 Stainless Steel
	S316							316 Stainless Steel
	Z							Straight Type
	J							Corner Type
	K							With Moving Parts
	W							No Moving Parts
	F							Pulse Output
	I							4~20mA
	D							1~5V
	W							Wireless Communication
	I							General Type
	II							Minus Pressure Auto-close Valve